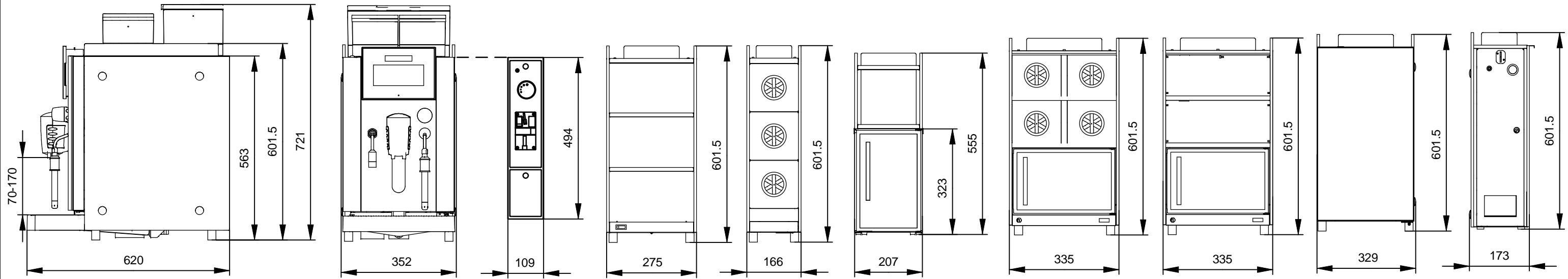


S 300 (2013)

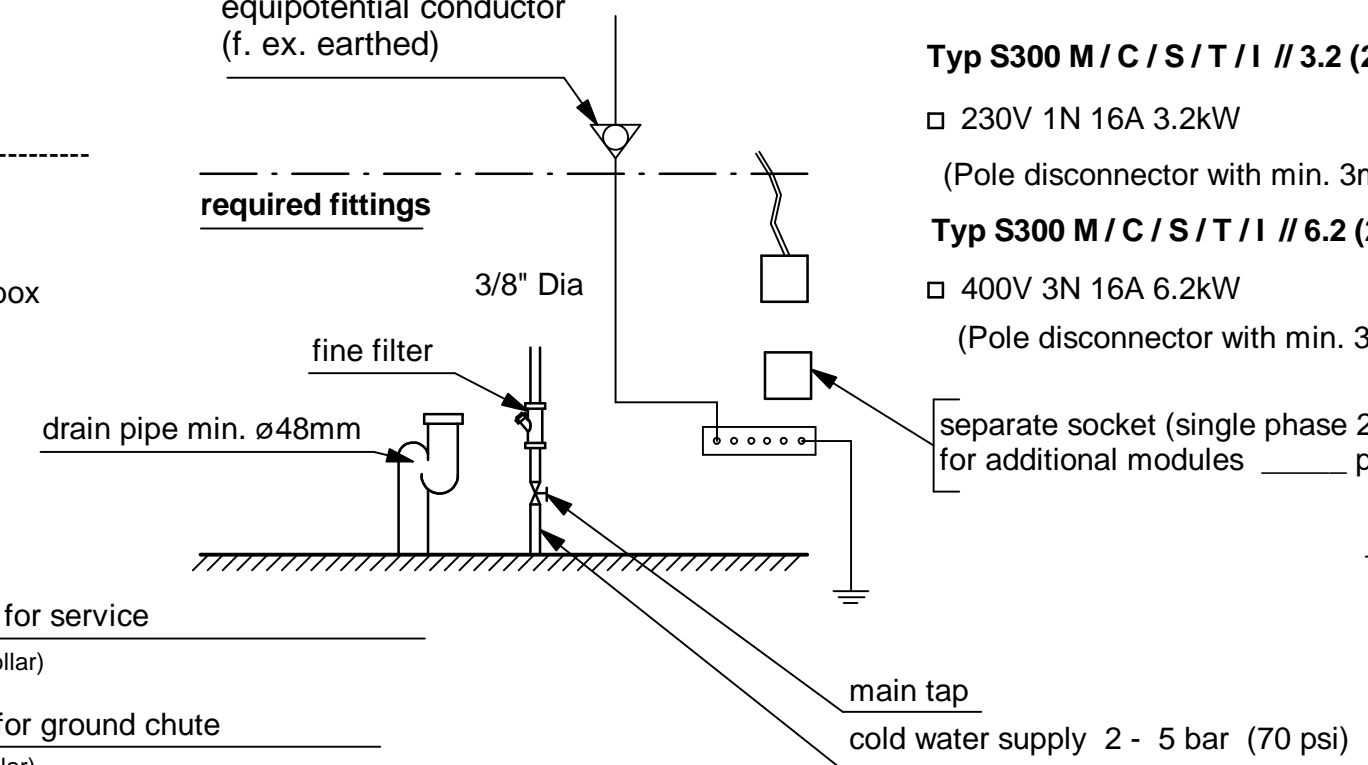
Side view



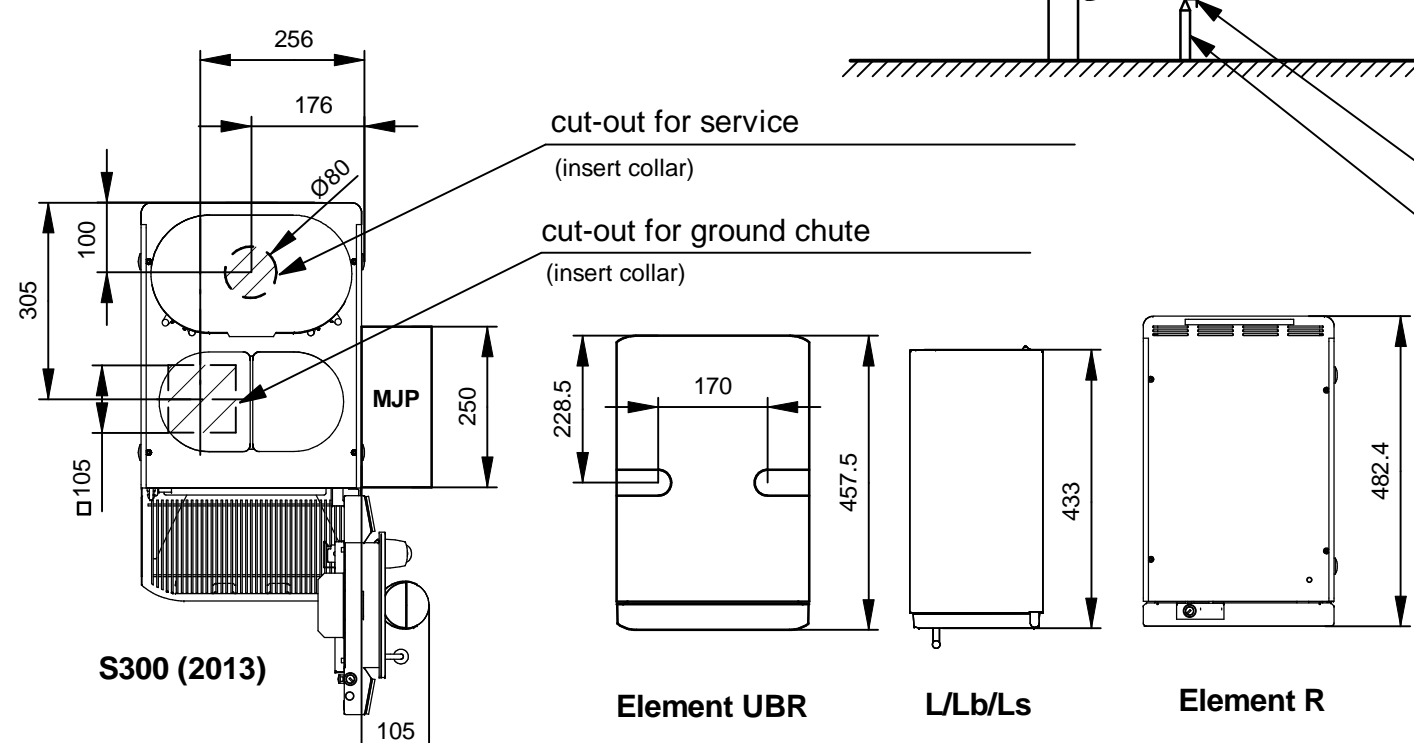
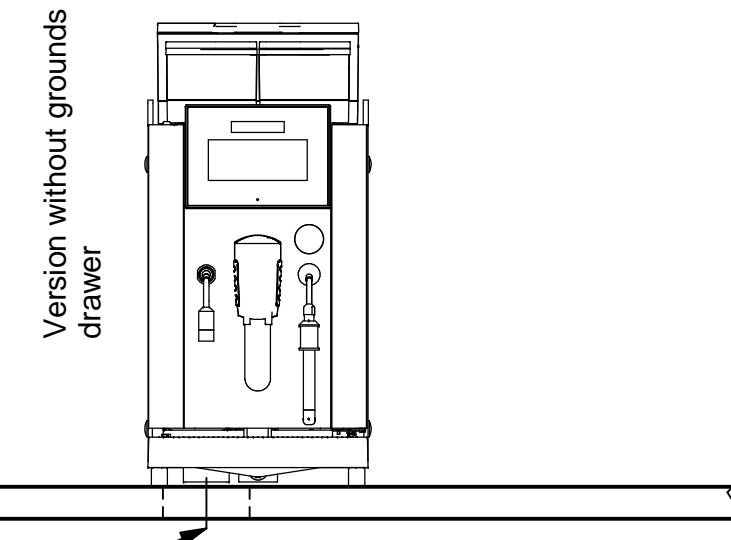
- CT = coffee / tea
- CST = coffee / steam / tea
- MCST = milk / coffee / steam / tea
- MCT = milk / coffee / tea
- CTI = coffee / tea / instant
- CSTI = coffee / steam / tee / instant
- MCTI = milk / coffee / tea / instant
- MCSTI = milk / coffee / steam / tea / instant

- MJP = coin acceptor
- W = cup warmer
- CD = cup dispenser
- L/Lb/Ls = Refrigerator 4L / with desk / sugar box
- FCD = Refrigerator 4L. with cup dispenser
- Fh = Refrigerator 4L. with cup warmer
- R = Refrigerator 10L.
- UBR = Refrigerator 10L. UBR
- MW = coin changer

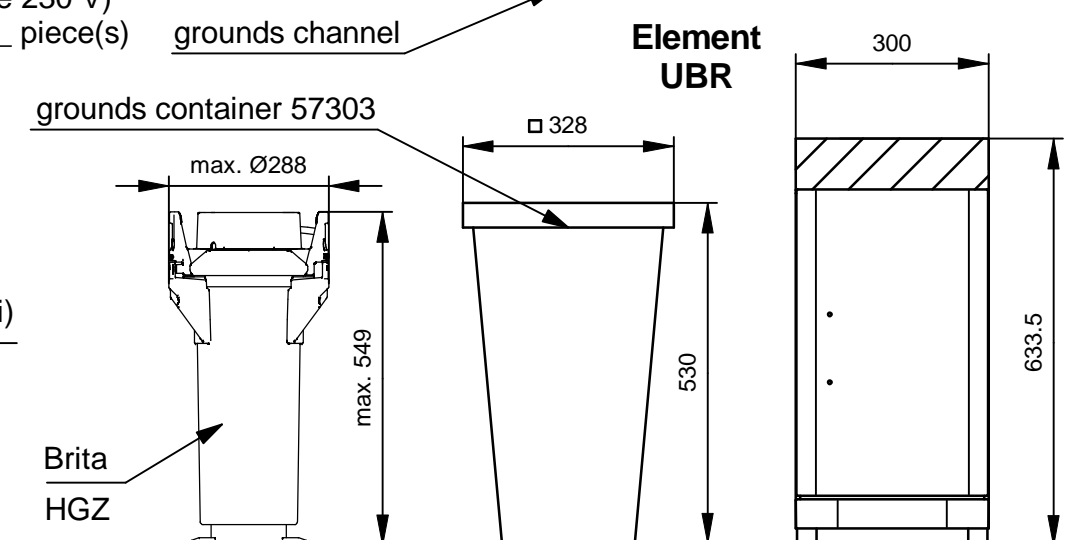
Must be connected to an equipotential conductor (f. ex. earthed)



- Typ S300 M / C / S / T / I // 2.2 (2013)**
□ 230V 1N 10A 2.2kW
- Typ S300 M / C / S / T / I // 3.2 (2013)**
□ 230V 1N 16A 3.2kW
(Pole disconnecter with min. 3mm contact distance)
- Typ S300 M / C / S / T / I // 6.2 (2013)**
□ 400V 3N 16A 6.2kW
(Pole disconnecter with min. 3mm contact distance)



required water carbonite hardness:
8-14 French degrees or
5-8 German degrees or
80-140 USA degrees or
5.6-9.8 English degrees clark



Installation drawing		Massstab	Gezeichnet	13/35	ame
		%	Geprueft		
rex-royal			Blatt	2	
			von	3	
HGZ Kaffeemaschinen Industriestrasse 34 CH-8108 Daellikon-Zuerich		Tel. 044/847 57 57 Fax 044/847 57 09		33416	
		Datum	14/09	Index	B